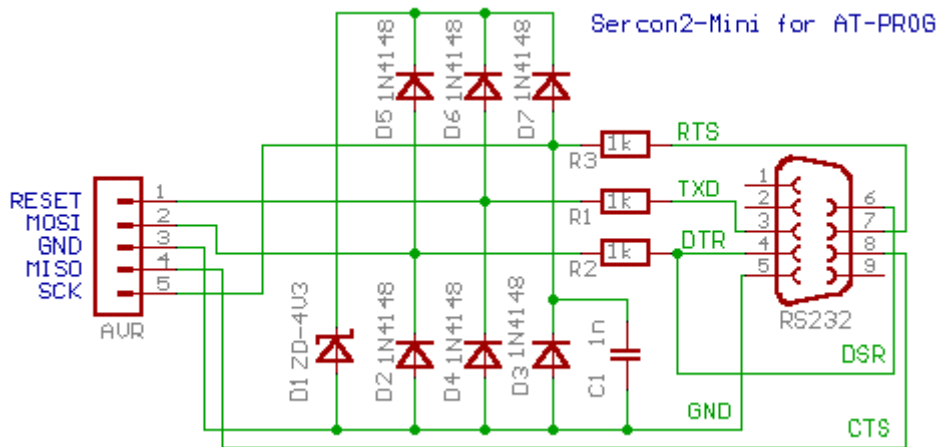


Sercon2-Mini für AVR

Please check last picture for pinout.



Always connect to computer first than Minus of battery . Connet the plus of battery as last.

